

90 系列无刷直流电机

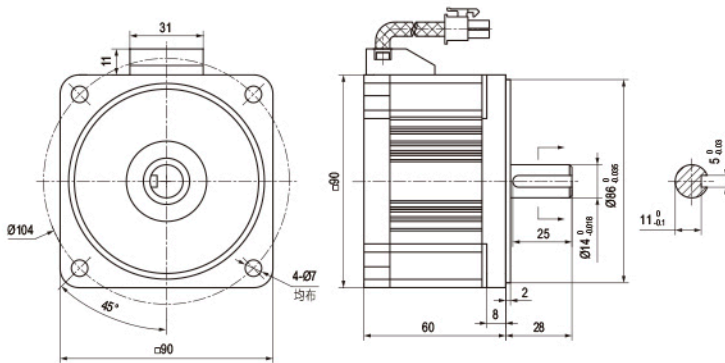
90 Series Brushless DC Motor

120W 150W 180W 200W 250W 300W

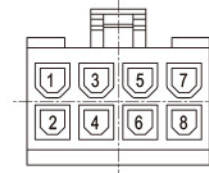
□ 90mm



电机外形图 Motor Dimensions



无刷直流电机接线 Brushless DC Motor Wiring



端子及接线说明 Terminal and wiring instructions

1	2	3	4	5	6	7	8
U	V	W	GND	Hv	Hw	Hu	Vcc
黄 (粗) Yellow (Trick)	白 (粗) White (Trick)	蓝 (粗) Blue (Trick)	黑 (细) Black (Fine)	白 (细) White (Fine)	蓝 (细) Blue (Fine)	黄 (细) Yellow (Fine)	红 (细) Red (Fine)

电机性能参数 Motor Performance Parameters

型号 Model	额定功率 Rated Power	电压 Voltage	额定电流 Rated Current	额定转速 Rated Speed	额定力矩 Rated Torque	长度 Length	
	W	V	A	RPM	N.m	mm	
G5BLD	120	DC24	6.8	1800	0.64	60	
		DC48	3.5	1800	0.64		
	150	DC24	8.7	1800	0.8		
			3000	0.48			
		DC48	4.6	1800	0.8		
			3000	0.48			
	AC220	1.7	1800	0.8			
		180	DC24	9.4	1800		0.96
			DC48	4.7	1800		0.96
	AC220	1.96	1800	0.96			
		200	DC24	11.6	2500		0.76
			DC48	5.8	2500		0.76
	AC220		2.2	2500	0.76		
	250	DC24	14.7	2500	0.96		
			3000	0.8			
		DC48	7.4	2500	0.96		
			3000	0.8			
		AC220	2.7	2500	0.96		
			3000	0.8			
	300	DC24	16.4	3000	0.96	65	
		DC48	8.2	3000	0.96		
		AC220	3.2	3000	0.96		